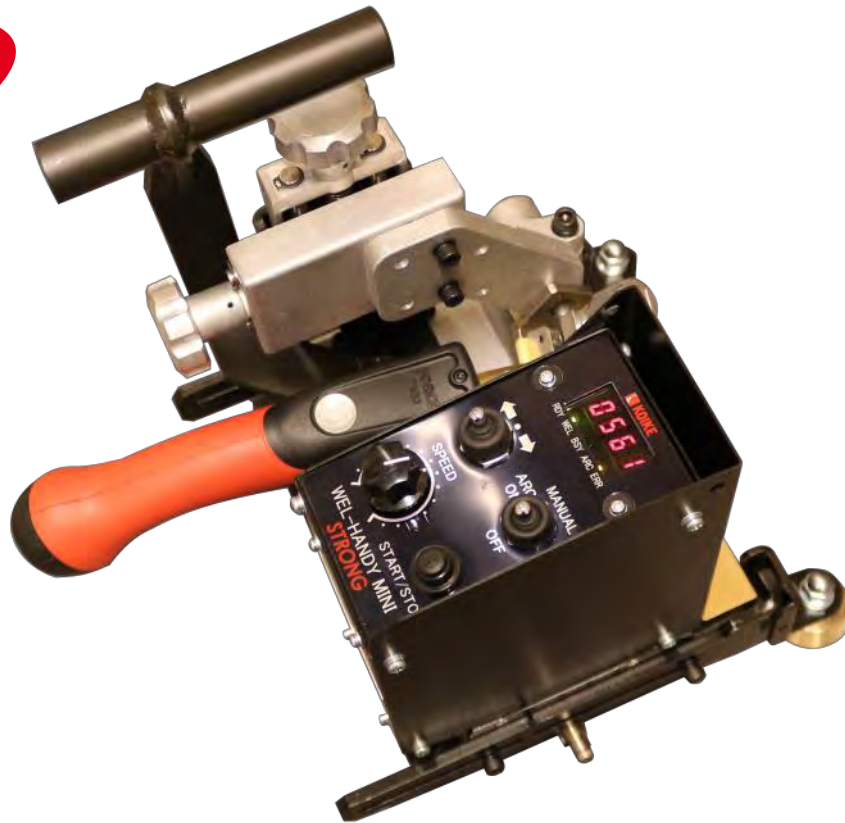


NEW



WEL-HANDY MINI STRONG

Compact Welding Carriage for Continuous Welding

Features and Benefits

- Compact, portable design
- Constant speed by motor feedback control
- Strong 35 kg permanent magnet and traction power
- Overload detection function
- Carriage positioning by limit switch
- Widely adjustable guide roller positions
- Lifting handle with magnet detachment mechanism
- Digital display for welding repeatability
- Limit switches on both sides of the machine
- Designed for continuous welding

The **WEL-HANDY MINI STRONG** is a compact design welding carriage designed to perform horizontal, vertical, and overhang welding.

35kg strong magnet and 16kg traction power provides reliable performance and quality welds.

The machine is easily carried around with the handle with magnet detachment mechanism.



Advanced control with simple operation

Constant speed control by motor feedback (Servo driver)

The new controller on WEL-HANDY MINI STRONG adopted advanced motor feedback control with servo driver, which maintains constant carriage traveling speed under any load^(*).

Changes in load, either from weight of welding torch lead or welding positions will not slow down the carriage. WEL-HANDY MINI STRONG provides constant, high quality welds from the beginning to the end.

^(*) under maximum traction power



Maintains constant speed in all applicable positions

Overload detection function

When excessive load is given to the carriage, WEL-HANDY MINI STRONG stops traveling and stops welding arc automatically.

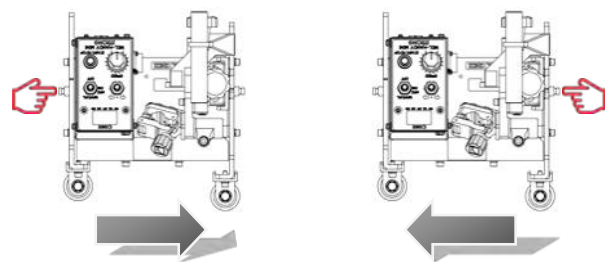
- **Increased reliability**
Greatly reduces chance of machine components breakage from excessive load.
- **Minimizes material damage by automatic arc OFF**
Avoids further damage to the welding work piece, making it easier to restart.



Simple operation panel with digital display

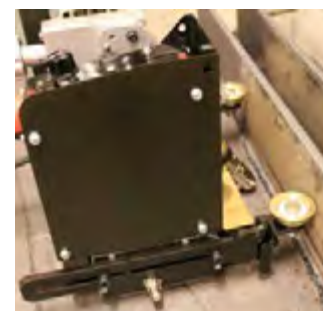
Carriage position adjustment without lifting (patent pending)

Repositions the carriage without the need of lifting. Machine travels when limit switch is being pressed. Precise starting position adjustment can be done in much easier way.



Automatic stop by limit switch

WEL-HANDY MINI STRONG is equipped with limit switches on both ends of the machine. When limit switch is pressed during welding, machine stops traveling and arc turns off automatically. Simultaneous welding operation can be done easily with WEL-HANDY MINI STRONG.



Mechanical components

Lifting handle with magnet detachment mechanism

- **Magnet disengages just by pulling the lifting handle**
Single action. Just pull the handle to lift the carriage, and move onto next work piece.



Strong permanent magnet power (35 kg)

- Enables WEL-HANDY MINI STRONG to weld in vertical and overhang welding positions
- Provides strong traction to the carriage



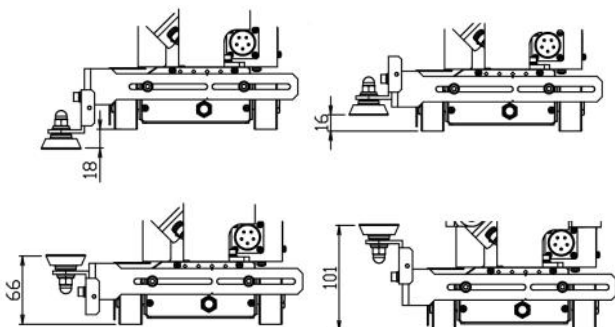
Vertical fillet welding



Overhang welding

Widely adjustable guide roller positions

- Flexible guide roller height adjustment
- Guide roller can be flipped over to position on the back



Accessories

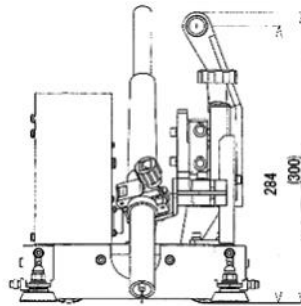
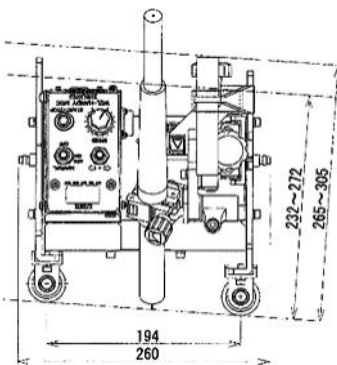
Optional accessories

Accessory	Stock #	Description
Transformer PR 100-240V-SEC 24V 65W	222.002.256	Primary 100-240V / Secondary DC 24 V

Type and Specification

Specification

		WEL-HANDY MINI STRONG
Machine weight		7.5 kg
Traction force		16 kg
Travel speed		100 - 1000 mm/min
Guiding system		Fillet tracking guide roller
Stand off (plate to base plate)		5.5 mm
Magnet detachment mechanism		Lifting handle integrated
Driving method		4-wheel driving rubber roller (chain transmission)
Magnet type		35 kg permanent magnet
Torch Adjustment	Torch angle	40 ~ 55°
	Up / down	45 mm
	Forward / backward	45 mm
Automatic stop function		Limit switch on each end of carriage
Unwelded lengths (start & end total)		Approx. 260 mm
Welding method		Continuous welding
Power & signal cable		Power and signal integrated Y-branch cable
Torch holder diameter		16 ~ 20 mm
Input power		DC 24V (AC 100-240V / DC 24V AC Switching power supply included)



Types

Model	Stock #
WEL-HANDY MINI STRONG DC24V	90240

Scope of delivery

Scope of delivery
Machine body
Power & signal cable
Allen keys (2pcs)
Operation manual



Your cutting needs – achieved.



Artin Bonyan Co.

No.2, Jolfa Str, Tehran, Iran (IR)
Phone: + 98 21 22876751
Fax: + 98 21 22891297
Web: www.artinbonyan.biz
Email: info@artinbonyan.biz

Koike Middle East FZE

SAIF Zone Sharjah-UAE
P.O. Box 122978
United Arab Emirates

Mobile +971561177615 /
+971566453803
Fax +9716-5312805
b.pandey@koike-europe.com
www.koike-europe.com

Koike Europe B.V.

Grote Tocht 19
1507 CG Zaandam
The Netherlands

Tel +31-(0)75 - 612 - 7227
Fax +31-(0)75 - 670 - 2271
info@koike-europe.com
www.koike-europe.com